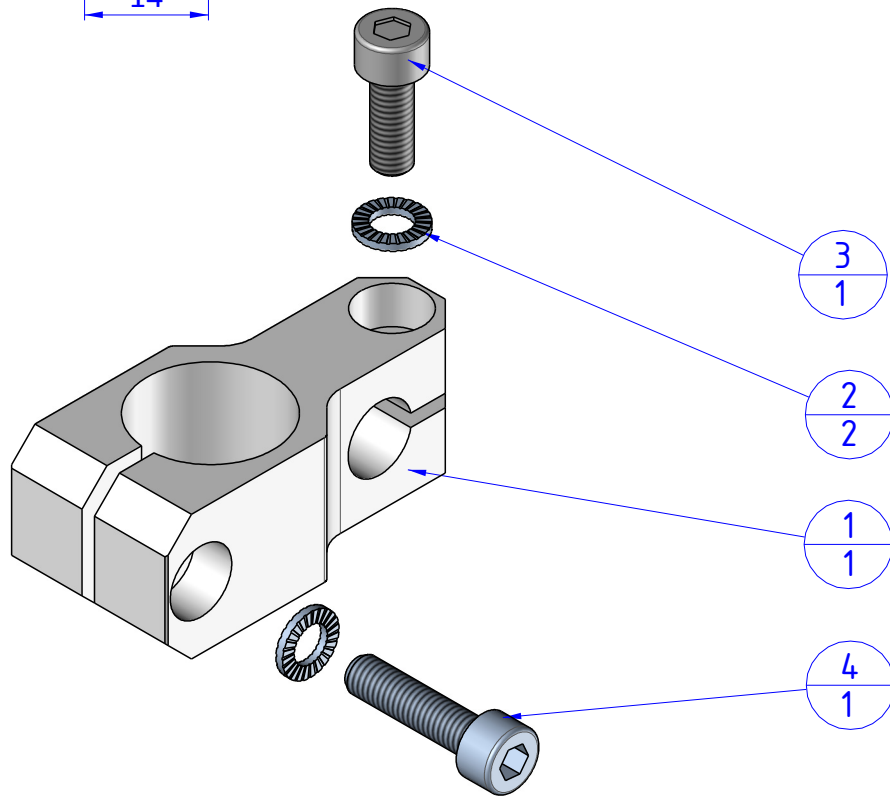
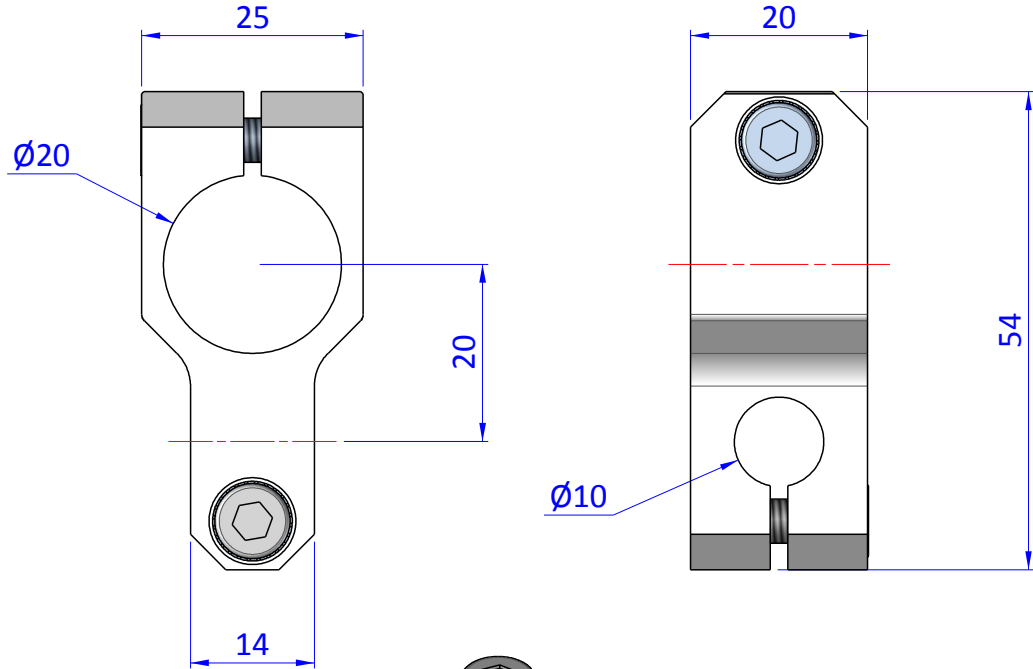


Item	Name	Q.ty
1	KKS.20.10	1
2	R.5.SCH	2
3	V.TCE5x14	1
4	V.TCE5x20	1



THE PROPERTY OF THE DRAWING IS ESTABLISHED BY LAW. IT IS FORBIDDEN TO PRODUCE OR SHOW IT TO THIRD PART. WITHOUT A WRITTEN AGREEMENT.

Format A4 UNI 936-76					DESIGNED FROM FPSERVICES	REVIEW A
	GENERAL TOLERANCE UNI - ISO 2768 CLASSE f	DESCRIPTION CA.KKS.20.10	DATE 30/04/2016	WEIGHT 0,040kg		
			CODE CA.KKS.20.10			